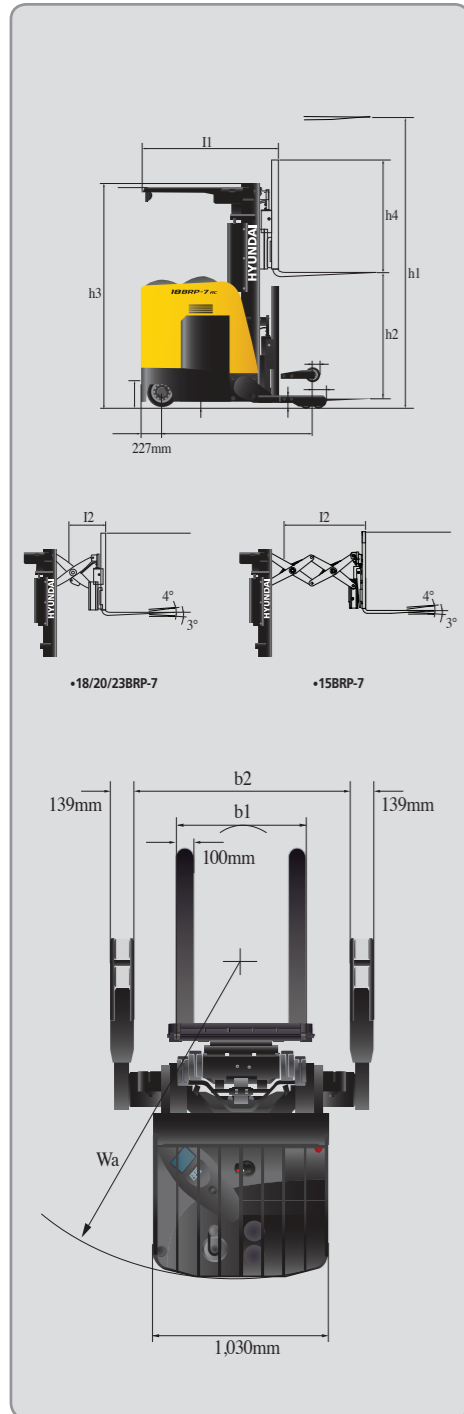


## Dimension



## Specification

### ■ General Information

1	Manufacturer		HYUNDAI	HYUNDAI	HYUNDAI	HYUNDAI
2	Model	Manufacturer's Designation	15BRP-7	18BRP-7	20BRP-7	23BRP-7
3	Load Capacity * (1)	Max.	1,361 kg	1,588	1,814	2,041
4	Load Center	Fork Face to Load CG	610 mm	610	610	610
5	Power Unit	Type	36 Volt	36	36	36
6	Operator Type		Stand, D/ Reach	Stand, Reach	Stand, Reach	Stand, Reach
7	Tire Type	Load/Drive/Caster	Poly/Poly/Poly.	Poly/Poly/Poly.	Poly/Poly/Poly.	Poly/Poly/Poly.
8	Wheels (x-driven)	Front/Load/Rear	4/2 (1x)	4/2 (1x)	4/2 (1x)	4/2 (1x)

### ■ Basic Dimensions

10	Mast * (2)	Lift height - See Chart	(h1) mm	5,335	5,335	5,335	5,335
11		Free Lift - See Chart	(h2) mm	1,196	1,196	1,196	1,196
12	Fork	Overall Fork Width, Max.	(b1) mm	762	762	762	762
		Overall Fork Width, Min.	(b1) mm	240	240	240	240
		Thickness x width	mm	40 x 100	40 x 100	45 x 100	45 x 100
		Length	mm	1,050	1,050	1,050	1,050
15	Length to Fork Face * (3)	Battery Compartment * Type A*	(l1) mm	1,467	1,276 * (4)	N/A	N/A
		Battery Compartment * Type B*	mm	1,518	1,327	1,327 * (4)	1,371
		Battery Compartment * Type C*	mm	1,562 * (4)	N/A	1,371	1,415 * (4)
		Battery Compartment * Type D*	mm	1,632	N/A	N/A	1,485
16	Reach (Pantograph)	Stroke	(l2) mm	1,087	592	592	592
17	Overall Height * (2)	Lowered - See Chart	(h3) mm	2,415	2,415	2,415	2,415
18		Lifted - See Chart	mm	6,554	6,554	6,554	6,554
19	Load Backrest Height		(h4) mm	1,219	1,219	1,219	1,219
20	Outrigger ID	In 50mm increments (864-1,270)	(b2) mm	1,067	1,067	1,067	1,067
21	Turning Radius	in standard battery compartment	(Wa) mm	1,856	1,665	1,712	1,819
22	Battery Compartment * (4)	Length	mm	457	362	413	457

### ■ Performance

23	Stability	According to ANSI		Yes	Yes	Yes	Yes
24	Speed - Travel	W/O Load	kph	11.8	11.8	11.8	11.8
25		Max. With Load	kph	11.8	11.8	11.8	11.8
26	Speed - Lift	Lift Speed, with Load	m/s	0.32	0.31	0.29	0.27
27		Lift Speed, without Load	m/s	0.45	0.45	0.46	0.46
28	Speed - Lower	Lower Speed, with Load	m/s	0.50	0.50	0.50	0.50
29		Lower Speed, without Load	m/s	0.45	0.45	0.45	0.45

### ■ Weights

34	Service weight	Including battery, less load, standard	kg	4,038	3,429	3,589	3,936
35	Axle loading	With Load, Front	kg	3,238	3,166	3,508	3,867
		With Load, Rear	kg	2,161	1,851	1,895	2,110
		W/O Load, Front	kg	1,589	1,283	1,368	1,522
		W/O Load, Rear	kg	2,449	2,146	2,220	2,414

### ■ Chassis

39	Tires/Wheels	Number, Load/Drive/Caster		4/1/2	4/1/2	4/1/2	4/1/2
40	Wheel Size	Front, Load Wheels	mm	127 x 101	127 x 101	127 x 105	127 x 105
		Rear, Drive Wheel (Steer)	mm	345 x 140	345 x 140	345 x 140	345 x 140
		Rear, Caster Wheel	mm	178 x 73	178 x 73	178 x 73	178 x 73
41	Wheelbase	Battery Compartment * Type A*	mm	1,510	1,399 * (4)	N/A	N/A
		Battery Compartment * Type B*	mm	1,561	1,450	1,450 * (4)	1,521
		Battery Compartment * Type C*	mm	1,605 * (4)	N/A	1,494	1,565 * (4)
		Battery Compartment * Type D*	mm	1,675	N/A	N/A	1,635
44	Ground Clearance	With 127" diameter load wheels	mm	51	51	51	51
46	Service Brake	Type		Electromagnetic Brake	Electromagnetic Brake	Electromagnetic Brake	Electromagnetic Brake
47	Parking Brake	Type		Automatic	Automatic	Automatic	Automatic
				Electric release	Electric release	Electric release	Electric release
	Steering	Type		Electric Steering	Electric Steering	Electric Steering	Electric Steering

### ■ Electric

48	Battery	Type		Lead Acid	Lead Acid	Lead Acid	Lead Acid
		Max. Amp - standard	Ah	1,085	775	930	1,085
		Min. Weight - standard	kg	1,034	725	852	1,034
49	Motors, Controls	Drive Motor, 60 Min Rating	kw	6.8	6.8	6.8	6.8
		Hydraulic Motor, 15% Rating	kw	16	16	16	16
		Drive & Hydraulic Motor control Type		AC	AC	AC	AC

\*(1) Contact factory. Capacity may be subject to derating at height.

\*(3) Add 66mm with option side shift

\*(2) Spec data is based on the standard mast (TF530, maximum fork height 5,335mm)

\*(4) Standard battery compartment (type A: 18BRP-7, type B: 20BRP-7, type C: 15/23BRP-7)



■ Some of the photos may include optional equipment.

FORKLIFT TRUCKS Environmentally - Friendly

# 15/18/20/23BRP-7 AC

**HYUNDAI FORKLIFT**  
HEAVY INDUSTRIES CO., LTD.

Head Office (Sales Office)  
14TH FL., HYUNDAI BLDG. 140-2, KYE-DONG, JONGNO-GU, SEOUL, KOREA 110-793  
TEL (82) (2) 746-4526, 4529 FAX (82) (2) 746-7444-7445

Americas Operation : Hyundai Construction Equipment Americas, Inc.  
955 ESTES AVENUE, ELK GROVE VILLAGE, IL. 60007, U.S.A. TEL (1) 847-437-3333 FAX (1) 847-437-3574

Europe Operation : Hyundai Heavy Industries Europe N.V.  
VOSSENDAAL 11, 2440 GEEL, BELGIUM TEL (32) 14-56-2200 FAX (32) 14-59-3405

PLEASE CONTACT

www.hyundai-ce.com

2011. 10 Rev 1.

**HYUNDAI**  
HEAVY INDUSTRIES CO., LTD.

We build a better future

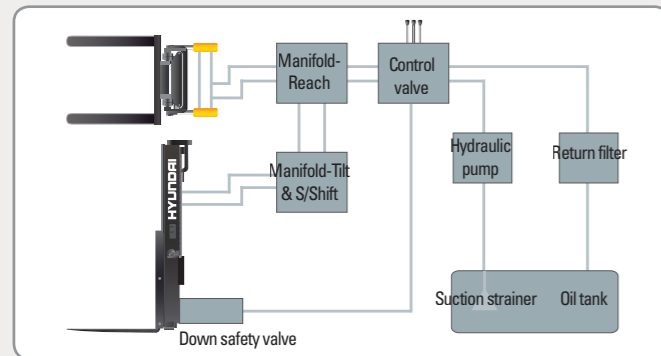
## Superior Power & Optimal Performance

Smooth running, efficient and ergonomically designed, 15/18/20/23BRP-7 series are built to meet your needs.



### Excellent Gradeability Operation & Anti Roll Back

A powerful drive motor and four wheel configuration provide for exceptional stability and excellent gradeability. When restarting after stop on a slope, an anti-roll back function ensure operational safety.



### State-of-the-art Hydraulic System

The latest large-capacity hydraulic system reacts quickly during operation and the low noise control valve increases both efficiency and durability.



### Minimum Turning Radius

Compact design suitable for narrow aisle operation guarantees work efficiency and maximum space utilization.



■ Some of the photos may include optional equipment.



### Automatic Center Position at Starting

When the key is turned to the on position, the steering sensor detects the position of the drive wheel and automatically returns the wheel to the center position.



### Versatile Reach Stroke

Multi-roller reach assembly provides for a smooth, controlled and safe load handling system, allowing for unsurpassed versatility during extended reach.



### Dual Articulating Load Wheel

Incorporating Dual Articulating Load Wheels ensures safety for travel and absorbs the shock when traveling on irregular ground.

### High Technology ZAPI Controller

The efficient, almost noiseless, 8Khz (high frequency) controller provides smooth quiet operation and protection for low & high voltage, overheating and fault recording.

Energy Efficiency  
 H(High) mode : 100%  
 N(Normal) mode : 110%  
 E(Economic) mode : 120%



### Drive Motor & Pump Motor

AC motors are designed for optimum reliability and efficiency while providing low noise levels. The AC motors are equipped with temperature sensors to ensure long motor life.



■ Some of the photos may include optional equipment.

## Comfortable Operation

A design based on human engineering relieves fatigue and increases operator's efficiency.



### Newly Designed Steer Control Handle

A newly designed steering control coupled with our new Electric Power Steering control gives the operator exceptionally smooth and controlled steering for tight spaces.



### New High Visibility for Safe Operation

The operator is able to work with increased safety and accuracy due to a wider mast view.



### Joystick Lever

Minimal operator effort is required for precise, safe and productive control. The lever's contoured design and cushion armrest provide added comfort during operation.



### Perfect Fit For Busy Operations

An ergonomically designed operator's compartment enables the driver to select the most comfortable working position for increased productivity.

### Self - diagnostic LCD Monitor

The LCD monitor has a back-light system to provide a clear view of the system's operation in all environments. The monitor provides information about operation error, system fault, battery level, hour meter plus other various functions.

### Cup Holder, Console Box & Storage Space

Additional storage compartments are located inside the operating space for operator's convenience.



### Strong Overhead Guard

The safety overhead guard meets EEC and ANSI regulations and protects the operator during hazardous work.



### Adjustable Backrest

A large and soft cushion pad are positioned for operator's safety and comfort.



### Non Slip Floor Mat

A heavy, vibration dampening, floor mat reduces operator fatigue and allows for increased productivity.



### Protection Fence

Protection fence installed between mast and operator room for safety.

# Durability, Ease of Maintenance

An ideal arrangement of component parts ensures easy access and convenience for maintenance.

**ORFS (O-Ring Face Seal)**  
ORFS type hose prevents the leaking of hydraulic oil.

**Hydraulic Return Oil Filter is Easily Accessible**

**Concentrated Fuse Box for Easy Inspection**

**Electromagnetic Brake**

**Cooling Fan**

**Grease Fillings**

**High Visibility Headlights & Rear Work Light**

**DC-DC Converter**  
DC-DC converter, satisfied with UL & CE, prevents from short circuit, overload and reverse polarity.

**ORFS (O-Ring Face Seal)**  
ORFS type hose prevents the leaking of hydraulic oil.

**Battery Disconnect Lever & Emergency Switch**

**Reliable ZAPI AC Controller**

**Easy Battery Replacement**

**Hydraulic Oil Level Gauge**

## Mast Specification (15/23BRP-7)

Mast Type	Maximum Fork Height		Overall Height (Lowered)		Overall Height (Lifted) (With Backrest)		Free Lift Height (With Backrest)		Over Headguard Height		Min. Outrigger -I.D		Truck Weight - w/o Battery											
	15/23BRP-7		15/23BRP-7		15/23BRP-7		15/23BRP-7		15/23BRP-7		15/23BRP-7		15BRP-7		23BRP-7		15BRP-7		23BRP-7		15BRP-7		23BRP-7	
	mm	mm	mm	mm	mm	mm	mm	mm	mm	mm	mm	mm	mm	kg	kg	kg	kg	kg	kg	kg	kg	kg	kg	kg
TF500	5,011	2,260	6,230	1,041	2,245	864	2,906	-	2,939	2,837	2,958	2,856	2,960	2,858										
*TF530	5,335	2,415	6,554	1,196	2,400	864	2,953	-	2,986	2,884	3,005	2,902	3,007	2,905										
TF610	6,095	2,720	7,314	1,501	2,400	864	3,123	-	3,155	3,053	3,174	3,072	3,176	3,074										
TF685	6,859	3,025	8,078	1,806	2,400	864	-	-	3,265	3,163	3,284	3,181	3,286	3,184										
TF760	7,621	3,325	8,840	2,106	2,400	864	-	-	3,357	3,255	3,376	3,274	3,378	3,276										
TF815	8,155	3,555	9,374	2,336	2,400	864	-	-	3,428	3,125	3,446	3,344	3,449	3,346										
TF865	8,661	3,785	9,880	2,566	2,400	1,016	-	-	-	-	3,526	3,424	3,529	3,427										
TF930	9,301	4,065	10,520	2,846	2,400	1,067	-	-	-	-	-	-	3,614	3,512										
TF1010	10,161	4,370	11,380	3,151	2,400	1,118	-	-	-	-	-	-	3,715	3,613										

## Mast Specification (18/20BRP-7)

Mast Type	Maximum Fork Height		Overall Height (Lowered)		Overall Height (Lifted) (With Backrest)		Free Lift Height (With Backrest)		Over Headguard Height		Min. Outrigger -I.D		Truck Weight - w/o Battery											
	18BRP-7		20BRP-7		18BRP-7		20BRP-7		18BRP-7		20BRP-7		18BRP-7		20BRP-7		18BRP-7		20BRP-7		18BRP-7		20BRP-7	
	mm	mm	mm	mm	mm	mm	mm	mm	mm	mm	mm	mm	mm	kg	kg	kg	kg	kg	kg	kg	kg	kg	kg	
TF500	5,011	2,260	6,230	1,041	2,245	864	2,673	-	2,706	2,706	-	2,725												
*TF530	5,335	2,415	6,554	1,196	2,400	864	2,704	-	2,737	2,737	-	2,756												
TF610	6,095	2,720	7,314	1,501	2,400	864	2,839	-	2,872	2,872	-	2,891												
TF685	6,859	3,025	8,078	1,806	2,400	864	-	-	2,949	2,949	-	2,968												
TF760	-	3,325	-	2,106	-	864	-	-	-	-	-	3,026												
TF815	-	3,555	-	2,336	-	864	-	-	-	-	-	3,070												

\* STANDARD

## Right Angle Aisle Stacking - Zero Clearance

Pallet Length (mm)	362 Battery Compartment and 1,067 Outrigger I.D					362 Battery Compartment and 1,067 Outrigger I.D					413 Battery Compartment and 1,067 Outrigger I.D				
	15BRP-7					18/20BRP-7					23BRP-7				
	Pallet Width (mm)					Pallet Width (mm)					Pallet Width (mm)				
914	838	914	1,016	1,118	1,219	838	914	1,016	1,118	1,219	838	914	1,016	1,118	1,219
	2,333	2,326	2,317	2,307	2,298	2,137	2,129	2,117	2,106	2,094	2,217	2,208	2,196	2,196	2,171
	2,447	2,441	2,434	2,426	2,418	2,255	2,248	2,239	2,230	2,221	2,337	2,330	2,321	2,321	2,302
	2,558	2,553	2,546	2,539	2,533	2,368	2,363	2,355	2,348	2,340	2,452	2,446	2,438	2,438	2,422
	2,665	2,661	2,655	2,649	2,643	2,477	2,472	2,466	2,460	2,453	2,561	2,556	2,550	2,550	2,536

• Add 51mm for 413mm Battery Compartment  
• Add 89mm for 457mm Battery Compartment  
• Add 152mm for 527mm Battery Compartment

• Add 51mm for 413mm Battery Compartment  
• Add 89mm for 457mm Battery Compartment

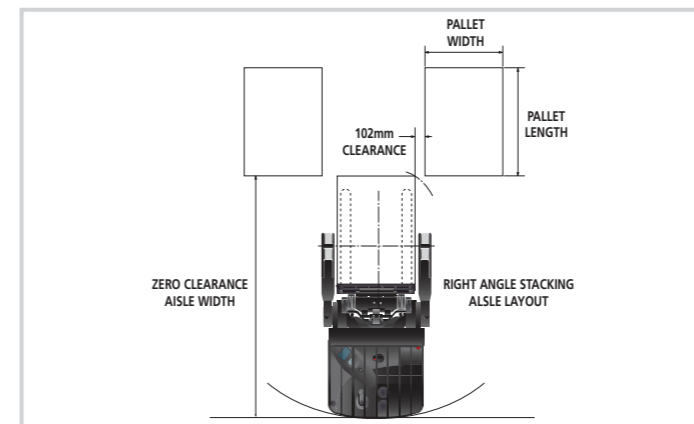
• Add 51mm for 457mm Battery Compartment  
• Add 102mm for 527mm Battery Compartment

## Battery Table

Battery Type	Battery Compartment Size (Length)	Battery Voltage	Capacity (6 Hour Rate)	Battery Dimensions			Battery Weight	
				Width(W)	Length(L)	Height(H)	Min. Weight	Max. Weight
Type A	362	36	775	975	355	787	725	
Type B	413	36	930	975	406	787	852	
Type C	457	36	1,085	975	450	787	1,034	
Type D	527	36	1,240	975	520	787	1,180	

## Load Tire Option

Mast Type	15BRP-7	18BRP-7	20BRP-7	23BRP-7
	(ø127x101mm)	(ø127x101mm) (ø267x101mm)	(ø127x101mm) (ø267x101mm)	(ø127x101mm) (ø267x101mm)
TF500	●	●	●	●
TF530	●	●	●	●
TF610	●	●	●	●
TF685	●	●	●	●
TF760	●	-	-	●
TF815	●	-	-	●
TF865	●	-	-	●
TF930	●	-	-	●
TF1010	●	-	-	●



## Optional Items

- Outrigger I.D (mm)**  
- 864, 914, 965, 1016, 1118, 1168, 1219, 1270
- Integral Sideshift**  
- Max. 120mm
- UL**  
- UL" EE"
- Beacon Lamp**  
- Amber, Blue, Red
- Rear Work Lamp**
- Fork Length (mm)**  
- 15/18BRP : 900, 950, 1000, 1150, 1200, 1350, 1500, 1600  
- 20/23BRP : 900, 1000, 1200, 1350, 1500, 1650, 1800